

LITHEAUDIO®

MOTORISED TV WALL MOUNT UP TO 60" TV

INSTALLATION MANUAL

• LEARN MODE instructions as shown below:

STEP1: Press and hold **SET** for 5 seconds until LED light on the wall mount remote control turns flickering to staying on, then press **OK** and the buzzer will beep once, and the red LED light on the IR receiver will stay on, then the LEARN MODE will be accessed.

STEP2: To LEARN **↵**, please press **↵** on the wall mount remote control until the buzzer beeps twice. The red LED light on the IR receiver will change from being steady to slow flashes.

STEP3: Aim the TV remote at the IR receiver; and press the button on the TV remote that you need to set as the function of **↵** button until the buzzer beeps three times. The red LED light on the IR receiver will change from slow flashes to fast flashes.

STEP4: Press **OK** button on the wall mount remote control until the buzzer beeps four times. The red LED light on the IR receiver will turn off, showing **↵** button is LEARNED successfully. If the buzzer only beeps once, the LEARNING process is failed. (The TV remote doesn't support LEARNING function.)

The rest button functions can be LEARNED by the same steps above.

Learn "Power" button on the TV remote:

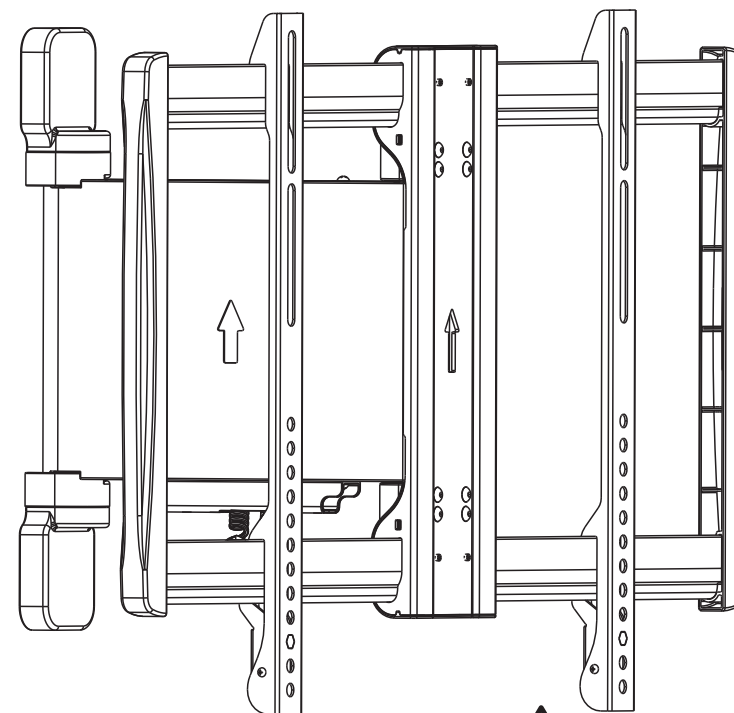
Press and hold **SET** for 5 seconds until LED light on the wall mount remote control turns flickering to staying on, then press **OK**. The buzzer will beep once, and the red LED light on the IR receiver will stay on, then press and hold **1** button on the wall mount remote control until the buzzer beeps twice, then release the **1** button. The red LED light on the IR receiver will change from being steady to slow flashes.

Aim the TV remote at the IR receiver; and press "Power" button. The buzzer will beep three times. The red LED light on the IR receiver will change from slow flashes to fast flashes. Press **OK** button on the wall mount remote control until the buzzer beeps four times. The red LED light on the IR receiver will turn off, indicating "Power" button is learned successfully. Pressing "Power" button will automatically fold wall mount to the wall while turning off the TV.

Note: Any interval over 20 seconds with no operations done to buttons will exit the wall mount control from LEARN MODE.

Maintenance

- Check that the bracket is secure and safe to use at regular intervals (at least every three months).
- Please contact your distributor if you have any questions.



CAUTION: DO NOT EXCEED RATED LISTED WEIGHT. SERIOUS INJURY OR PROPERTY DAMAGE MAY OCCUR!

FOR CURVE
& FLAT TV'S



200x200
300x300
400x200
400x400
600x400



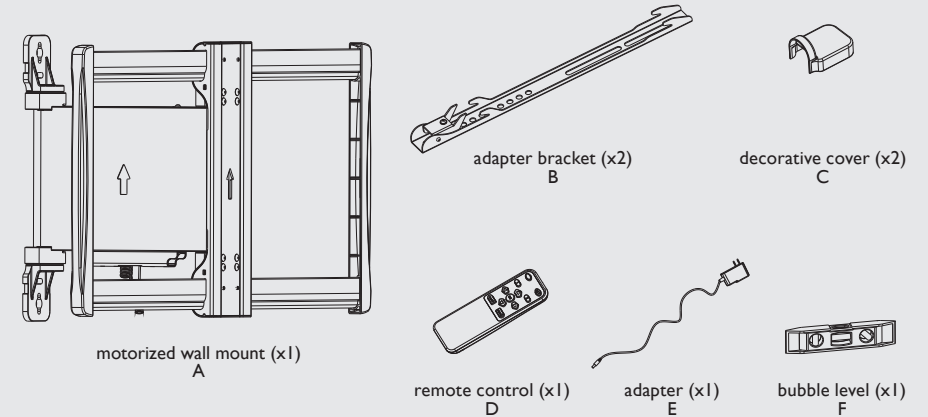
NOTE: Read the entire instruction manual before you start installation and assembly.

WARNING

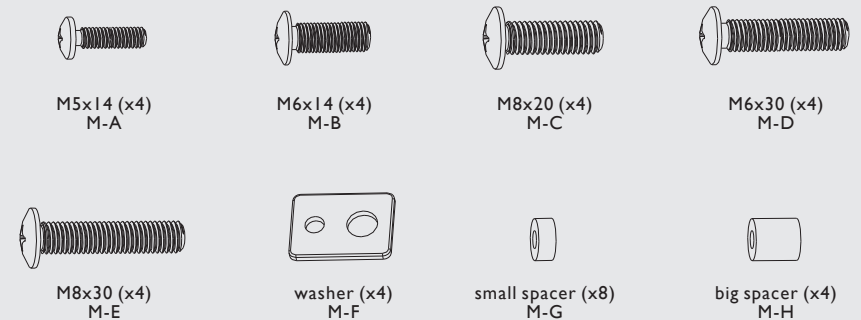
- Do not begin the installation until you have read and understood all the instructions and warnings contained in this installation sheet. If you have any questions regarding any of the instructions or warnings, please contact your local distributor.
- This mounting bracket was designed to be installed and utilised **ONLY** as specified in this manual. Improper installation of this product may cause damage or serious injury.
- This product should only be installed by someone with good mechanical ability who has basic building experience and fully understands this manual.
- Make sure that the supporting surface will safely support the combined weight of the equipment and all attached hardware and components.
- If mounting to wood wall studs, make sure that mounting screws are anchored into the center of the studs. The use of a stud finder is highly recommended.
- Always use an assistant or mechanical lifting equipment to safely lift and position the equipment.
- Tighten screws firmly, but do not over tighten. Over tightening can cause damage to the items, This greatly reduces their holding power.
- This product is intended for indoor use only. Using this product outdoors could lead to product failure and personal injury.

Component Checklist

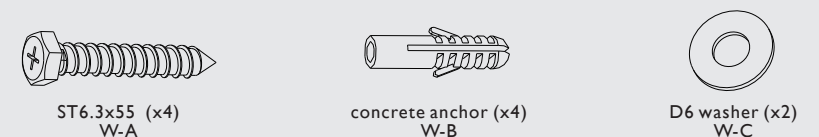
IMPORTANT: Ensure that you have received all parts according to the component checklist prior to installation. If any parts are missing or faulty, telephone your local distributor for a replacement.



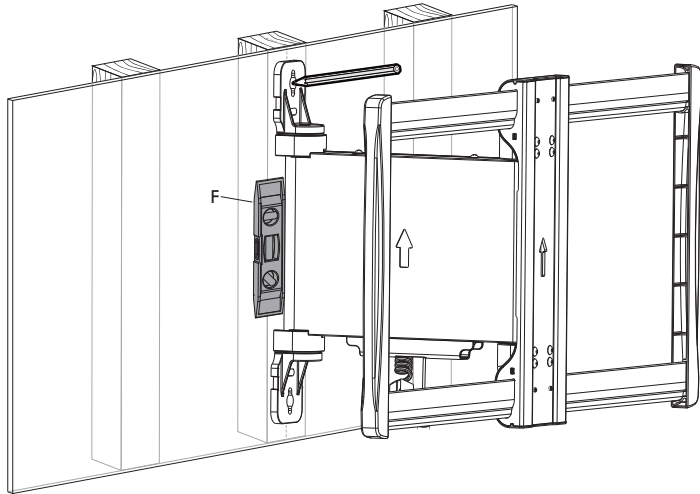
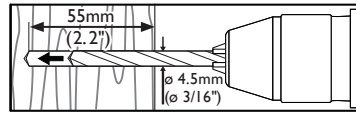
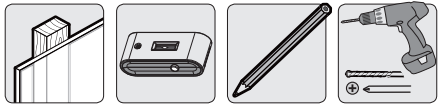
Package M



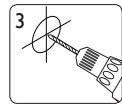
Package W



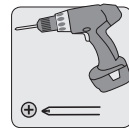
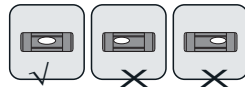
I a. For Wood Stud Wall Mounting



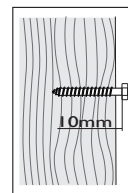
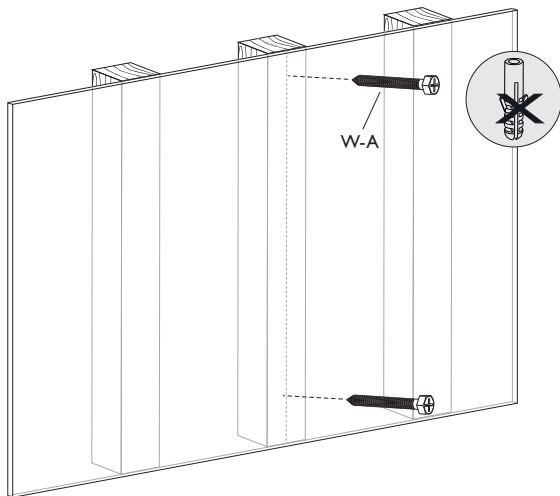
Find and mark the exact location of mounting holes



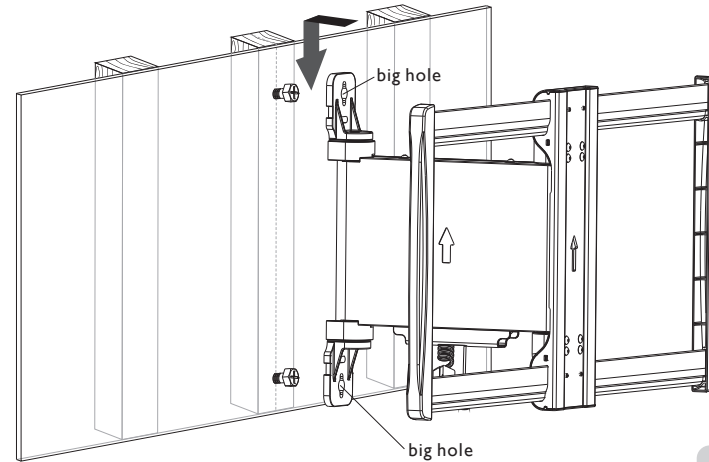
Drill pilot holes



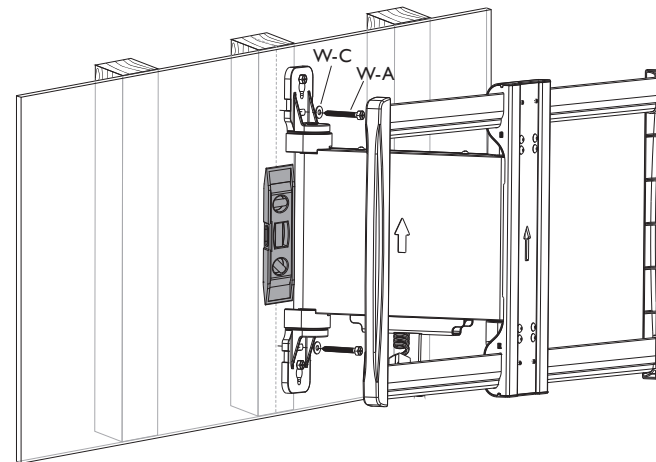
Screw the wall mount onto the wall



Tighten the screws leaving a 10mm space from the wall.



Align the big holes on the wall plate to the screws in the wall and lower the wall plate.



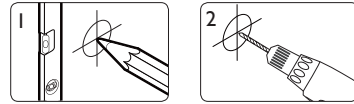
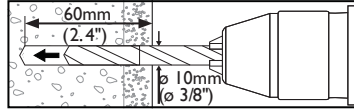
Install the other two screws and level the wall plate, then tighten all screws for security.

With the arrow pointing up.

⚠ WARNING

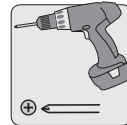
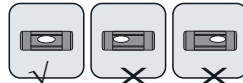
- Make sure that mounting screws are anchored into the center of the studs. The use of a stud finder is highly recommended.
- Installers are responsible to provide hardware for other types of mounting situations.
- Installers must verify that the supporting surface will safely support the combined weight of the equipment and all attached hardware and components.

1b. For Solid Brick and Concrete Mounting

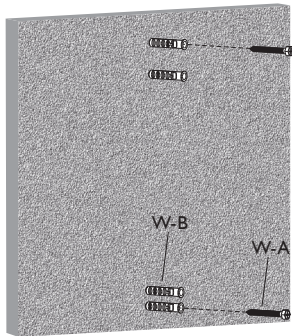
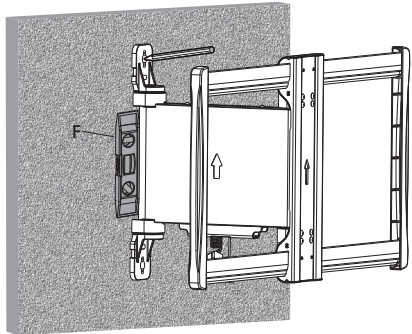


1
Mark the exact location of mounting holes

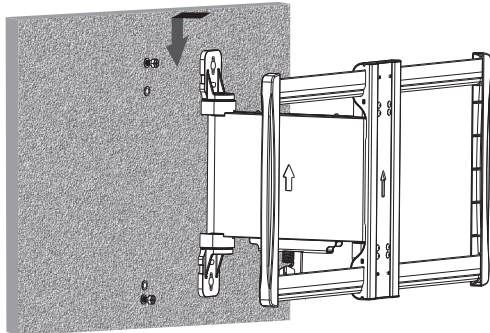
2
Drill pilot holes



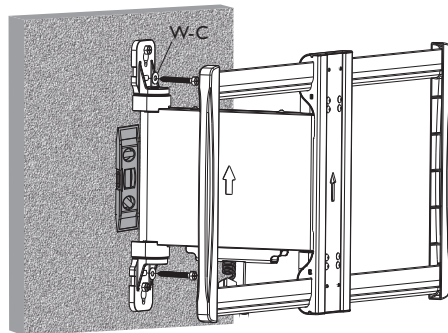
Screw the wall mount onto the wall



Tighten the screws leaving a 10mm space from the wall.



Align the big holes on the wall plate to the screws in the wall and lower the wall plate.

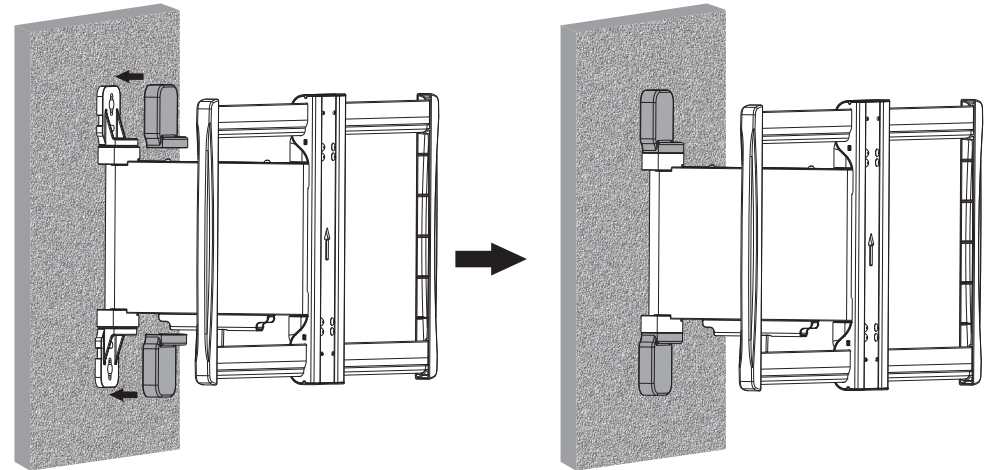


With the arrow pointing up.

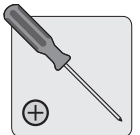
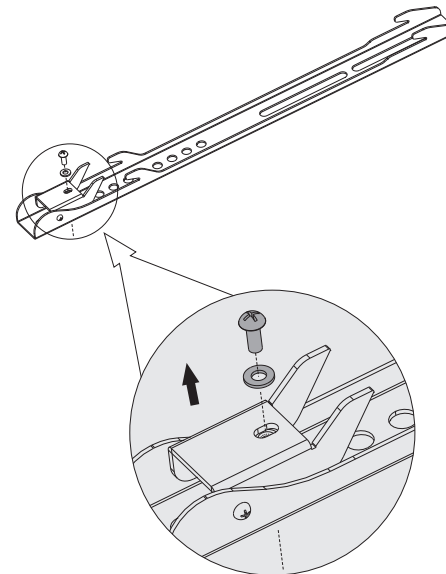
WARNING

Installers must verify that the supporting surface will safely support the combined weight of the equipment and all attached hardware and components.

2. Installing the Decorative Covers

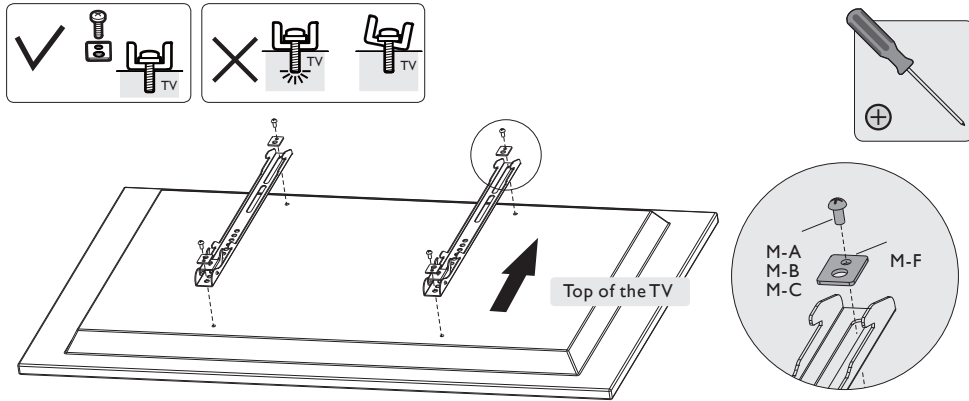


3. Installing the Adapter Brackets

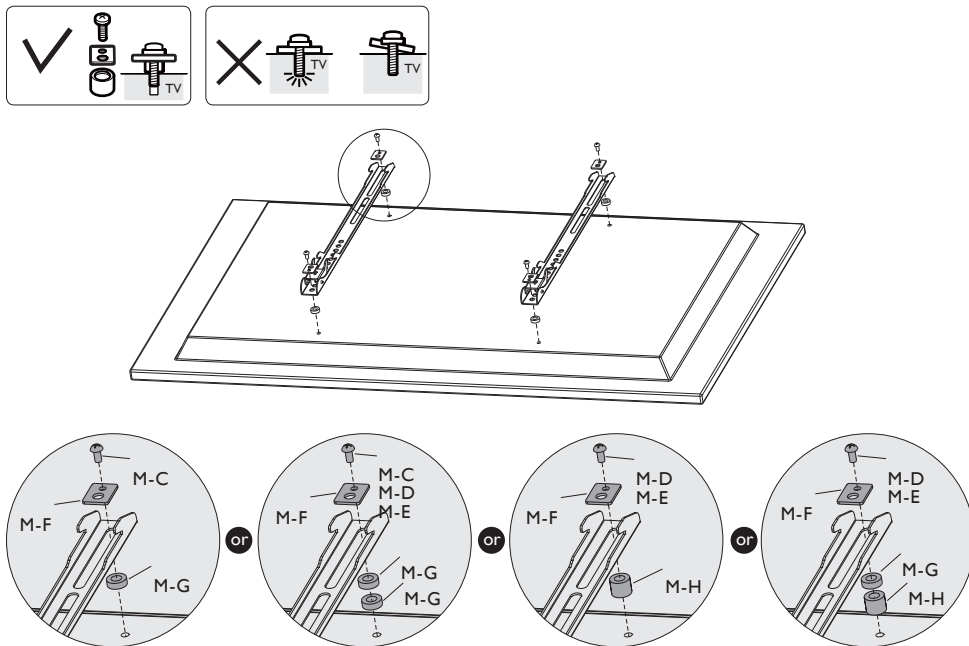


Use a proper screwdriver to remove the screw and the washer before installing the adapter brackets to the TV.

3-1. For Flat Back Screens



3-2. For Recessed Back Screens or to Access A/V Inputs

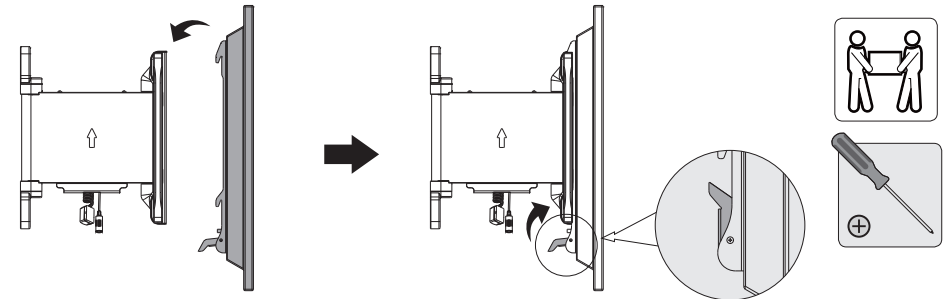


Note: Choose the appropriate screws, washers and spacers (if necessary) according to the type of screen.

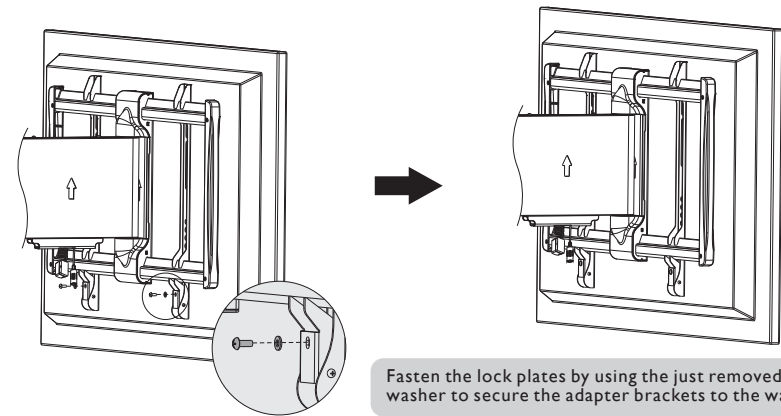
- Position the adapter brackets as close as possible to the center of the TV.
- Screw the adapter brackets onto the TV.

Tighten all screws but do not over tighten.

4. Hooking the TV onto the Wall Mount

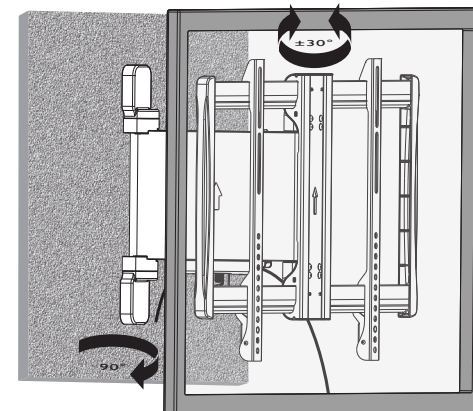


Lift and hook the TV onto the wall mount.



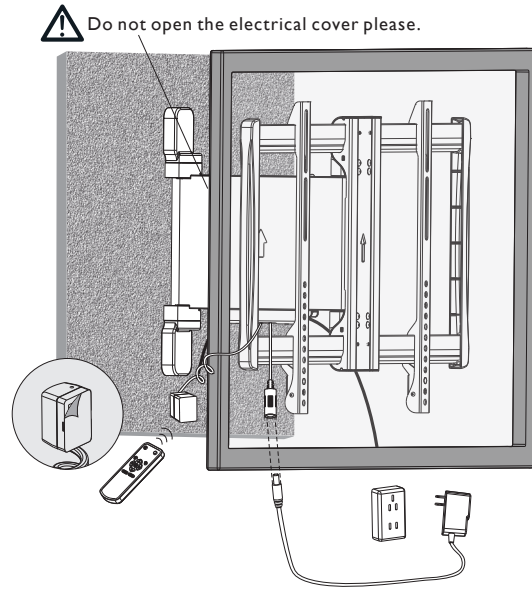
Fasten the lock plates by using the just removed screw and washer to secure the adapter brackets to the wall mount.

5. Cable Management



Connect the cables to your TV and route through the cable clips.
Note: Leave slack in the cables for arm movement.

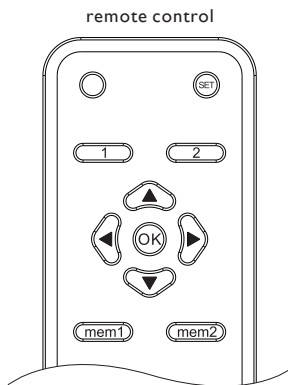
6. Placing the IR Receiver



! Do not plug into the power outlet until it is ready to be operated.
Peel the backing paper. Place the IR receiver into the desired position.
Make sure nothing will obstruct the transmission from where the TV will be viewed.

7. The Remote Control Operating Instructions

Remote control operation instructions



STEP 1: When the motorized wall mount is powered on, you will hear it beeps once and the system is now on standby.

STEP 2: Push the wall mount by hand until it folds flat against the wall. Press **OK** and then hear one beep from the buzzer, the system will then enter a working condition.

STEP 3: Follow the Key function instructions below for further operation.

Note: • Encountering obstacles or damage of mechanical parts during operating will make the TV wall mount stop automatically and the buzzer will beep three times as a warning.

• When the wall mount meets with an obstacle in the process, please remove the obstacle and push the wall mount by hand until it folds flat against the wall. Pressing **▲** button to gain an initial wall mount position, the wall mount can be operated normally afterwards.

Buttons function instructions

▼ Out button. Press and release **▼**. The TV wall mount will fully unfold.

▲ In button. Press and release **▲**. The TV wall mount will return to rest against the wall.

OK Stop button

◀ Left button. Press and release **◀**, the TV wall mount will swivel to the left until **OK** is pressed or the TV wall mount swings to its 30° max angle. (Note: this button is valid only when the wall mount is fully extended)

▶ Right button. Press and release **▶**, the TV wall mount will swivel to the right until **OK** is pressed or the TV wall mount swings to its 30° max angle. (Note: this button is valid only when the wall mount is fully extended)

mem1 Memory button1. Press and hold for 5 seconds, two continuous beeps will be heard. The LED light on the remote control turns on for one second to indicate current position memorized successfully as mem 1.

mem2 Memory button2. Press and hold for 5 seconds, two continuous beeps will be heard. The LED light on the remote control turns on for one second to indicate current position memorized successfully as mem 2.

1 + **OK** To recall the **mem1** button(mem 1). Press and release **1** button, and then press **OK** button, The TV wall mount will automatically swivel to the location1 after the buzzer sounds once.

2 + **OK** To recall the **mem2** button(mem 2). Press and release **2** button, and then press **OK** button, The TV wall mount will automatically swivel to the location2 after the buzzer sounds once.

SET + **OK** Learning button, Please read the instructions below for more info.

LEARN MODE operation instructions

The loss of wall mount remote control would result in TV wall mount being unusable. The LEARN MODE is only used to copy some of the button functions to TV controllers (suitable for most popular brands) for more convenience in using.

Note:

- TV remote cannot replace the wall mount remote controller, only to LEARN five button functions which are **◀**, **▶**, **OK**, **▲** and **▼**.
- The user must follow the rules below when using the TV remote to control TV wall mount. Select null keys on the TV remote so it won't affect original TV controlling after functions copied.